

HOW TO USE THE

# TDC

## Sterero Selectron

### sterero slide changer

The TDC Stereo Selectron Changer is intended to supplement the TDC Stereo Project-Or-View and the TDC Stereo Vivid projector. It was designed to allow the same ease and convenience in showing stereo slides as does the most-wanted slide handling system in the world—the famous TDC Selectron-Semimatic slide changer for 2x2 slides. With this Stereo Selectron changer, the only one of its kind, you will be able to show up to 30 stereo slides in one tray without ever touching your slides by hand. All you do is push the slide feeding lever to insert a slide in showing position, pull the lever to retract the slide into the tray, and turn the knob to advance to the next slide. Each slide will be properly centered in position for showing. Your slides cannot get out of sequence, cannot appear on the screen upside-down or reversed, and cannot be dirtied by fingerprints. If you wish, however, you can show slides out of sequence or re-show previous slides by advancing or backing the tray to the number of the desired slide.

## SETTING UP THE STEREO SELECTRON CHANGER

After carefully unpacking the unit, first remove the tape from the slide feeding lever at the top of the Stereo Selectron, and from the shutter blade inside the windows of the slide chamber. Then loosen the knurled lock nut holding the tray-support bar (under the main frame casting near the tray advancing knob), and rotate the tray-support bar 90° in either direction until the tray-support bar fits into its notch at the bottom of the frame casting. Tighten the lock nut securely. The Stereo Selectron changer is now ready for mounting.

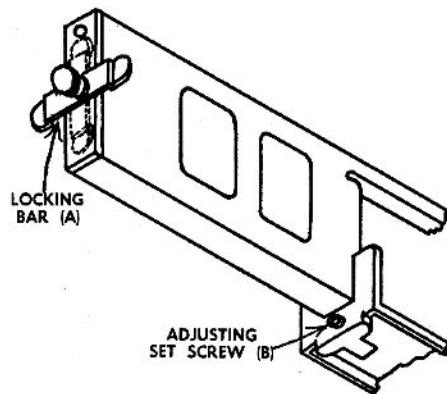
## MOUNTING THE STEREO SELECTRON

To mount the Stereo Selectron changer on the TDC Stereo Project-Or-View, first take off the adapter by removing the two screws at the bottom of the back plate and the one screw at the top center. (The adapter is not required when using the Stereo Selectron on the Stereo Project-Or-View.)

Insert the Stereo Selectron into the front slot on the Stereo Project-Or-View, making sure that the locking bar (A) on the end of the Selectron is in line with the end cap. The locking bar (A) will extend beyond the far wall of the Stereo Project-Or-View and should be rotated one-quarter turn and tightened with the knurled screw on the Selectron. The small knurled screw on the Stereo Project-Or-View itself fits into the hole in the end cap freely and is not used for securing purposes.

If many closeup slides are to be shown, it may be necessary to center the Stereo Selectron to have the picture appear in the center of the viewing screen by unscrewing the adjusting set screw (B) that is below the junction of the stainless steel frame and die cast tray holder. This screw will bear against the side wall of the Project-Or-View, and this will pull the picture to the left. There is sufficient adjustment in the Stereo Selectron to compensate completely for this purpose.

To mount the Stereo Selectron on the Stereo Vivid projector, follow directions on the Adapter instruction sheet.



## STEREO SELECTRAY

To insert the tray in the Stereo Selectron changer, first pull the slide feeding lever *all the way out* to the right. Then place the tray with number "1" on the top right of the tray at the front position. The tray goes in only one way—the top lip, with the numbers on it, fits above the indexing gear of the slide advancing knob on the right side of the Stereo Selectron frame; the bottom ridge, at the bottom left of the tray, fits against the inside frame at the bottom left corner of the changer. When the number "1" is over the indexing gear, turn the slide advancing knob *away from you* (clockwise) and the tray will be engaged and moved forward.

The Stereo Selectray may be loaded with stereo slides either before or after it is positioned in the changer. Each slot in the tray will accept one ASA standard ( $1\frac{5}{8} \times 4''$ ) stereo slide, glass-and-tape, glass-and-metal or cardboard mounted. For the Stereo Project-Or-View, load slides right-side-up and reversed from left to right. For the Stereo Vivid projector, load slides upside-down and reversed from left to right.

**IMPORTANT:** The tray in the Stereo Selectron changer can be advanced while a slide is in showing position. If you advance the tray while a slide is in the chamber, you will not be able to retract that slide into the tray until you bring its numbered slot back into position to receive the slide. (If you do not return the tray to the correct slot, you may damage the slide in the changer and also the slide in the incorrect receiving position.)

The improved design of the Stereo Selectron changer has reduced the bulk that might have been necessary to handle stereo slides. In this new unit, each slide is exactly positioned for proper feeding by an incline above the lock nut that secures the tray-support bar. As each slide is advanced, it rises on the incline just high enough to allow the slide feeding lever to push it into the chamber. As the lever retracts the slide into the tray and the tray is advanced, the slide drops down out of engaging position. This design allows the use of a tray open at the top, and gives the projectionist greater freedom in removing bad slides, re-sequencing slides, and reversing slides that may have been placed in the tray in the wrong position for proper projection. In addition, the shutter blade in the slide chamber is opened and closed by the slide feeding lever, not by a slide, thus assuring positive action by an integral part of the unit itself.

**CLEARING JAMS**—Jams in the TDC Stereo Selectron Changer can occur if the tape on tape-bound slides is loose, or if snap-together metal mounts are not securely locked, or if the edges of wrap-around metal binders are not properly flattened, or if cardboard mounts are mangled or warped in the short dimension. If a jam occurs, do not try to retract the slide into the tray, but return it to the showing position. Then remove the Stereo Selectray from the Selectron changer. When the tray is out, retract the slide advancing lever until enough of the bad slide is exposed so you can remove it manually. The spring inside the Stereo Selectron changer will allow enough movement of the slide so that gentle manipulation will usually free the slide.

## Model 116S-38 Adapter

The Model 116S-38 Adapter for the Stereo Vivid Projector will allow you to mount three important projection accessories on the Stereo Vivid. These are the Stereo Selectron Changer, the 132S-100 Manual Stereo changer and the 132S-200 Manual 2x2 changer. With any of these projection accessories you will achieve greater efficiency and convenience in the successful handling of stereo or 2x2 slides in your TDC Stereo Vivid projector.

### OPENING THE PROJECTOR SHUTTER

With your Model 116S-38 Adapter you received a wire hook. This device will hold open the shutter of the Stereo Vivid projector when using any of the three slide changers noted above. To install the hook, first remove the lens housing of the projector by turning the focusing knob counterclockwise as far as it will go. When the knob no longer is engaged, slip the lens housing off the guide rods. Swing the shutter out from its housing all the way. Then slip the bent end of the long portion of the hook onto the top back of the shutter, keeping the short cross piece of the hook in a horizontal position. Slowly swing the shutter back into its housing, and slip the small cross loop of the hook over the metal tongue at the top center of the housing. The shutter now will remain open as long as the hook is so attached. In normal operation, there is no danger of the slide changer dislodging the hook. Replace the lens housing by fitting the tunnels onto the guide rods and engaging the focusing knob in its threaded receptacle. Turn the focusing knob clockwise until the back of the lens housing is just even with the front of the slide carrier slot.

## SETTING CHANGERS IN ADAPTER

The Stereo Selectron changer and the 132S-100 and 132S-200 changers are all inserted in the Adapter in the same manner. Remove the two screws at the bottom of the back plate of the adapter, and the screw at the center top, then take off the back plate. Place the changer (any one of the three) in the Adapter with the slide feeding lever on your *right*. Place the back plate on the adapter, and replace the two screws at the bottom, *but do not tighten*. Center the stereo slide changers in the Adapter by visual inspection. The 132S-200 2 x 2 changer should be positioned so that the right margin of the "window" is flush with the inside right edge of the Adapter. When carrier is properly positioned, tighten screws, and then replace screw at top center of adapter.

## MOUNTING THE ADAPTER ON THE PROJECTOR

Before attempting to mount the Adapter, be sure the lens housing is clear of the slide carrier slot. Loosen the lamp housing and move it slightly toward the rear of the projector. Then slip the Adapter (with the slide carrier mounted in it) into the projector carrier slot until it is solidly seated. Then turn the lock screw on the right side of the Adapter near the main frame casting one-half turn to obtain a snug fit. *It is not necessary to tighten this lock screw securely*. Then tighten the outboard lock screw (at left side of Adapter) as far as it will go but *do not force it* beyond the point where it is tight. Move the lamp housing forward again until it fits snugly against the Adapter and tighten the locking bolts. The unit is now in place and ready for operation.

To remove the Adapter and changer assembly from the Stereo Vivid projector, it is only necessary to loosen the outboard lock screw. The Adapter and changer then slip off.

The Adapter is mounted in the same fashion for the Stereo Selectron changer as well as the Model 132S-100 and Model 132S-200 slide changers.



**THREE DIMENSION COMPANY**  
a division of Bell & Howell  
3512 North Kostner Avenue  
Chicago 41, Illinois